

T38GN

Dual port Gigabit Ethernet, Power over Ethernet
4" x 3" TFT-LCD, 16.7M colours, Intuitive user interface
HD Voice: HD Codec, HD speaker, HD handset
6 VoIP accounts, BLF/BLA, IPV6, Open VPN
Supports Wireless Headsets (DHSG)



The T38GN is the fully future-proofed Yealink IP phone for businesses that think ahead - fully equipped for seamless migration to GigE based network infrastructure. The large high resolution colour LCD facilitates superb clear and intuitive navigation, helping to make the T38GN ideal for environments that require maximum productivity and efficiency.

It is easy to install and use and is ideal for all market sectors. With the TI Aries chipset and HD codec (G.722) it provides unrivalled HD (High Definition) voice quality in the HD handset and HD speaker. Other features include 6 VoIP accounts, 16 programmable keys, 2 x LAN, PoE, headset and expansion module ports.

T38GN

Phone Features

6 VoIP accounts, Hotline, Emergency call
 Call hold, Call waiting, Call forward,
 Call return, Call transfer (blind/semi-
 attended/attended)
 Caller ID display, Redial, Mute, DND
 Auto-answer, 3-way conferencing
 Speed dial, SMS, Voicemail
 Message Waiting Indication (MWI) LED
 Tone scheme, Volume control
 Direct IP call without SIP proxy
 Ring tone selection/import/delete
 Phonebook (1000 entries), Black list
 Call history: dialed/received/missed/
 forwarded, Menu-driven user interface
 Localized language and input method
 Soft keys programmable
 Supports up to 6 expansion
 modules(EXP39)
 Supports Wireless Headset
 Adapter(EHS36)

IP PBX System Integration

Busy lamp field (BLF), BLF list, (BLA)
 DND & Forward synchronization
 Intercom, Paging, Music on hold
 Call park, Call pickup
 Call recording, Call completion
 Group listening, Group pickup
 Anonymous call, Anonymous call
 rejection
 Network conference
 Distinctive ringtone
 Dial Plan, Dial-now

Codecs and Voice Features

Wideband codec: G.722
 Narrowband codec: G.711 μ /A, G.723.1
 G.726, G.729AB
 VAD, CNG, AEC, PLC, AJB, AGC
 Full-duplex speakerphone with AEC

Network Features

SIP v1 (RFC2543), v2 (RFC3261)
 IPV6, DNS SRV (RFC3263)
 Redundant server support
 NAT Traversal: STUN mode
 DTMF: In-Band, RFC2833, SIP Info
 Proxy mode and peer-to-peer SIP link
 mode, IP Assignment: Static/DHCP/
 PPPoE
 Bridge/router mode for PC port
 TFTP/DHCP/PPPoE client
 Telnet/HTTP/HTTPS server
 DNS client, NAT/DHCP server
 Logout

Management

Auto-provision via FTP/TFTP/HTTP/
 HTTPS
 Auto-provision with PnP
 SNMP V1/2 optional, TR069 optional
 Configuration: browser/phone/auto-
 provision
 Factory configuration customized
 Trace package and system log export

Security

Open VPN, 802.1x, VLAN QoS (802.1pq),
 LLDP
 Transport Layer Security (TLS)
 HTTPS (server/client), SRTP (RFC3711)
 Digest authentication using MD5/MD5-
 sess
 Secure configuration file via AES
 encryption
 Phone lock for personal privacy
 protection
 Admin/VAR/User 3-level configuration
 mode

Physical Features

2xRJ45 10/100/1000Mbps Ethernet ports
 TI Aries chipset
 4.3" TFT-LCD, 480 x 272 pixel, 16.7M
 colours
 48 keys including 16 programmable keys
 1xRJ9 (4P4C) handset port
 1xRJ9 (4P4C) headset port
 1XRJ12 (6P6C) EXT port
 Optional power adapter: AC 100~240V
 input and DC 5V/2A output

Power over Ethernet (IEEE 802.3af)
 Power consumption approx.: 4.6W
 Net weight: 1.05KG
 Dimension: 273x204x42MM
 Operating humidity: 10~95%
 Storage temperature: up to 60°C

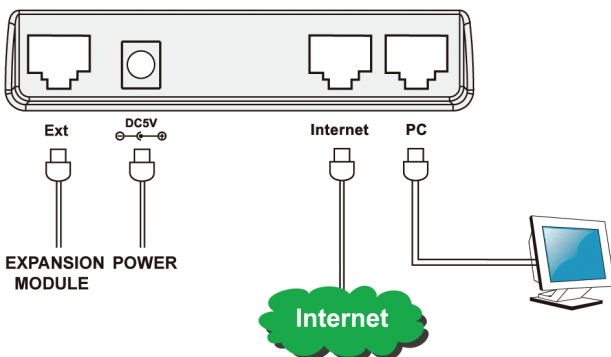
Certifications



WEEE Compliant



ROHS Compliant



Yealink
 EASY VOIP

Yealink (UK) Ltd, Pennine House, Salford Street, Bury, Lancashire, BL9 6YA, United Kingdom
 Tel: +44 (0)161 763 2060 Email: sales@yealink.co.uk Web: www.yealink.co.uk

Due to our policy of continuous product improvement, all specifications may be subject to change without prior notice